



20 dB Fixed Attenuator, SMA Male To SMA Female Aluminum Heatsink Black Anodized Body Rated To 25 Watts Up To 18 GHz

TECHNICAL DATA SHEET

PE7018-20

20 dB Fixed Attenuator, SMA Male To SMA Female Aluminum Heatsink Black Anodized Body Rated To 25 Watts Up To 18 GHz

Configuration

Design	Fixed, Bidirectional Attenuator
Connector 1	SMA Male
Connector 2	SMA Female
Body Material and Plating	Aluminum Heatsink, Black Anodized

Electrical Specifications

Frequency Range, GHz	DC to 18
Impedance, Ohms	50
Attenuation Value, dB	20
Maximum Input Power, Watts	25
Maximum VSWR	1.4:1

Frequency 1

Range, GHz	DC to 18
VSWR	1.4:1
Attenuation Accuracy, dB	± 1

Mechanical Specifications

Temperature

Size

Length, in [mm]	3.8 [96.52]
Width, in [mm]	2.65 [67.31]
Height, in [mm]	2.65 [67.31]

Connector 1

Type	SMA Male
Connector Specification	MIL-STD-348
Contact Material and Plating	Beryllium Copper, Gold
Coupling Nut Material and Plating	Passivated Stainless Steel
Hex Size, inch	5/16
Torque, in-lbs [Nm]	8 [0.9]
Body Material and Plating	Passivated Stainless Steel

Connector 2

Type	SMA Female
Connector Specification	MIL-STD-348
Contact Material and Plating	Beryllium Copper, Gold

Click the following link (or enter part number in "SEARCH" on website) to obtain additional part information including price, inventory and certifications: [20 dB Fixed Attenuator, SMA Male To SMA Female Aluminum Heatsink Black Anodized Body Rated To 25 Watts Up To 18 GHz PE7018-20](#)

The information contained in this document is accurate to the best of our knowledge and representative of the part described herein. It may be necessary to make modifications to the part and/or the documentation of the part, in order to implement improvements. Pasternack reserves the right to make such changes as required. Unless otherwise stated, all specifications are nominal.





20 dB Fixed Attenuator, SMA Male To SMA Female Aluminum Heatsink Black Anodized Body Rated To 25 Watts Up To 18 GHz

TECHNICAL DATA SHEET

PE7018-20

Body Material and Plating

Passivated Stainless Steel

Compliance Certifications (visit www.Pasternack.com for current document)

RoHS Compliant

Yes

Plotted and Other Data

Notes:

Values at 25 °C, sea level

URL: <http://www.pasternack.com/20db-fixed-sma-female-sma-male-25-watts-attenuator-pe7018-20-p.aspx>

20 dB Fixed Attenuator, SMA Male To SMA Female Aluminum Heatsink Black Anodized Body Rated To 25 Watts Up To 18 GHz from Pasternack Enterprises has same day shipment for domestic and International orders. Our RF, microwave and fiber optic products maintain a 99% availability and are part of the broadest selection in the industry.

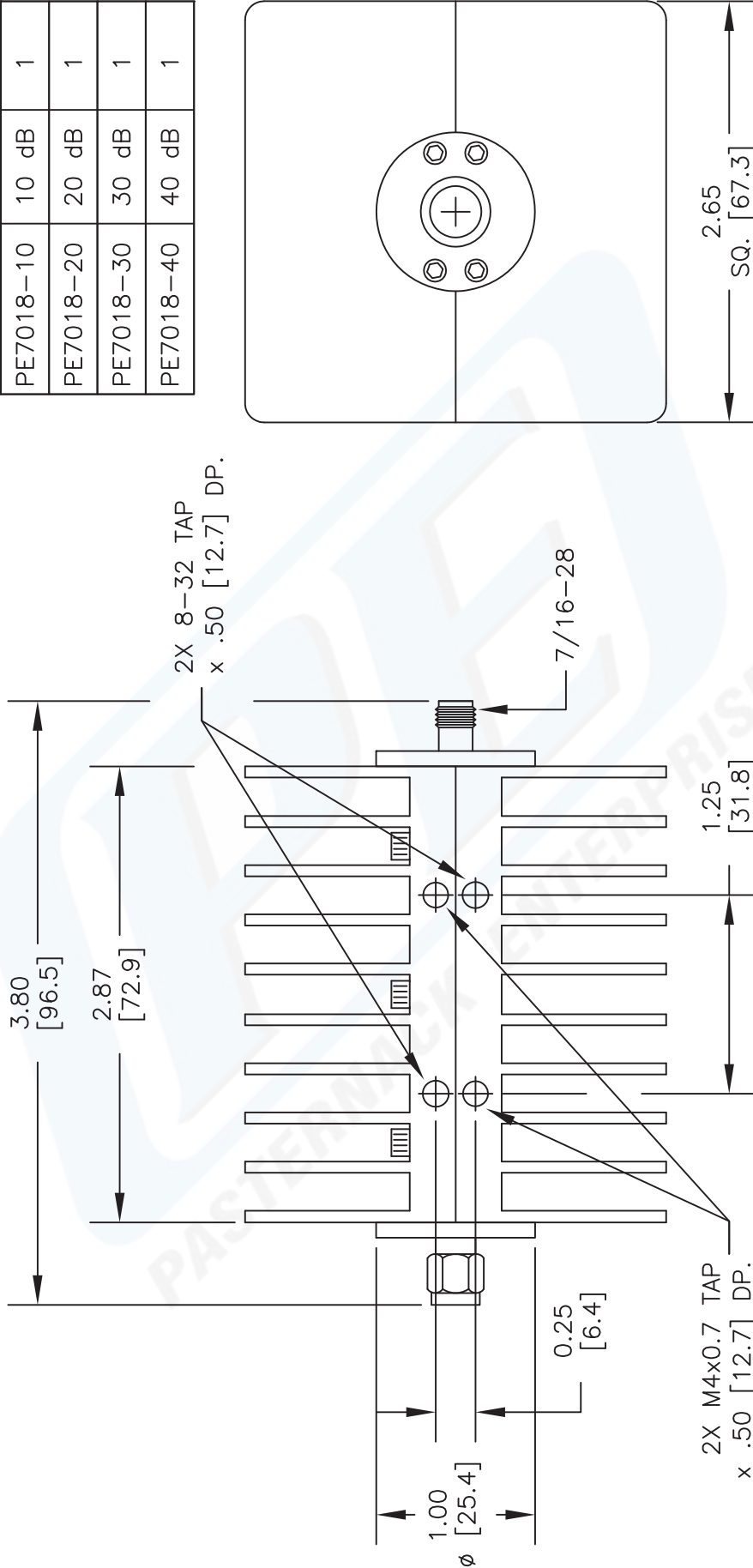
The information contained in this document is accurate to the best of our knowledge and representative of the part described herein. It may be necessary to make modifications to the part and/or the documentation of the part, in order to implement improvements. Pasternack reserves the right to make such changes as required. Unless otherwise stated, all specifications are nominal.



PE7018-20 CAD Drawing

20 dB Fixed Attenuator, SMA Male To SMA Female Aluminum Heatsink
Black Anodized Body Rated To 25 Watts Up To 18 GHz

P/N	ATTEN.	FIGURE
PE7018-1	1 dB	1
PE7018-2	2 dB	1
PE7018-3	3 dB	1
PE7018-6	6 dB	1
PE7018-10	10 dB	1
PE7018-20	20 dB	1
PE7018-30	30 dB	1
PE7018-40	40 dB	1



SMA FEMALE

SMA MALE

FIGURE 1

DWG TITLE

PE7018

NOTES:
1. UNLESS OTHERWISE SPECIFIED ALL DIMENSIONS ARE NOMINAL.
2. ALL SPECIFICATIONS ARE SUBJECT TO CHANGE WITHOUT NOTICE AT ANY TIME.
3. DIMENSIONS ARE IN INCHES [mm].

FSCM NO. 53919

CAD FILE 012313

SCALE N/A

SIZE A

2233



Pasternack Enterprises, Inc.
P.O. Box 16759 | Irvine | CA | 92623
Phone: (949) 261-1920 | Fax: (949) 261-7451
Website: www.pasternack.com | E-Mail: sales@pasternack.com